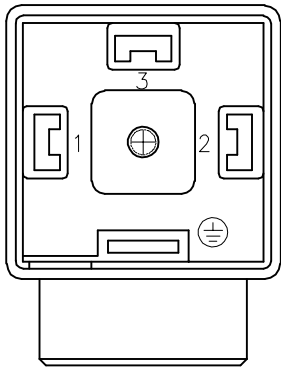
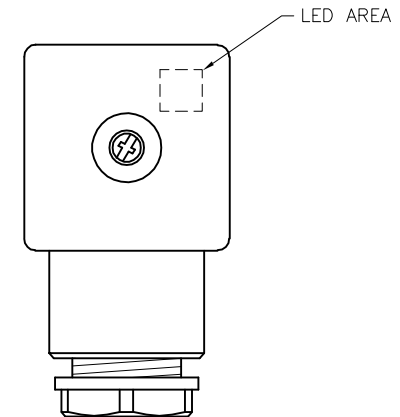
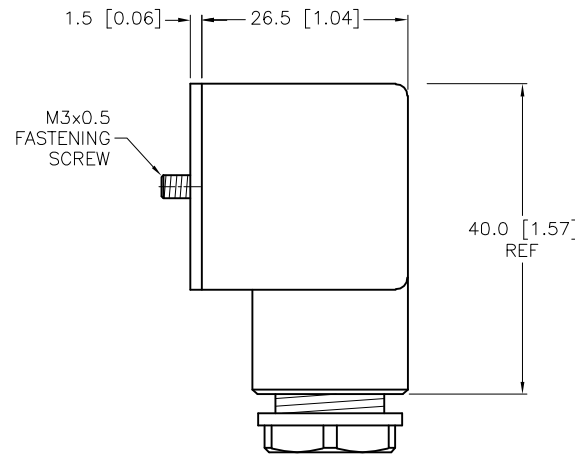
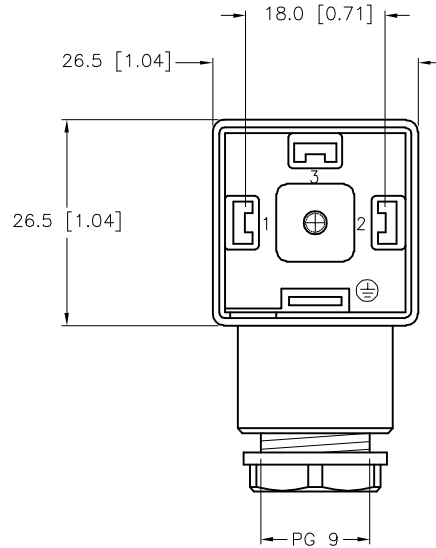


VALVE END VIEW


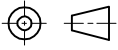


SPECIFICATIONS

HOUSING/COLOR	NYLON/BLACK
RATED CURRENT	10.0 A
RATED VOLTAGE	10-240 VAC/48-120 VDC
GASKET	NITRILE
CONTACT MATERIAL/PLATING	BRASS/NICKEL
TERMINAL	SCREW TERMINALS, CONDUCTORS TO 14 AWG
CABLE GLAND SIZE	PG 9
CABLE DIAMETER RANGE	ø6.0mm to ø8.0mm
TEMPERATURE	-25°C TO +90°C (-13°F TO +194°F)
PROTECTION CLASS	MEETS NEMA 4 AND IEC IP65



SOURCE DRAWING - FOR REFERENCE ONLY

RELATED DOCUMENTS		3RD ANGLE PROJECTION		THIS DRAWING IS CONFIDENTIAL AND THE PROPERTY OF TURCK INC. USE OF THIS DOCUMENT WITHOUT WRITTEN PERMISSION IS PROHIBITED.		 3000 CAMPUS DRIVE MINNEAPOLIS, MN 55441 1-800-544-7769 (763) 553-7300 (763) 553-0708 fax www.turck.us	
1.			DRFT	RDS	DATE	04/07/14	DESCRIPTION VAS 3-AW/LED/110-240VAC
2.			APVD	M.A.	SCALE	1=1.0	
3.		ALL DIMENSIONS DISPLAYED ON THIS DRAWING ARE FOR REFERENCE ONLY CONTACT TURCK FOR MORE INFORMATION	UNIT OF MEASUREMENT		IDENTIFICATION NO.		REV
4.			MILLIMETER [INCH]		U2-23218		A
MATERIAL		SEE SPECIFICATIONS		DO NOT SCALE THIS DRAWING		FILE: U2-23218	
FINISH		SEE SPECIFICATIONS				SHEET 1 OF 1	

A	DRAWING RELEASE	KMY	06/02/14	
REV	DESCRIPTION	BY	DATE	ECO NO.